

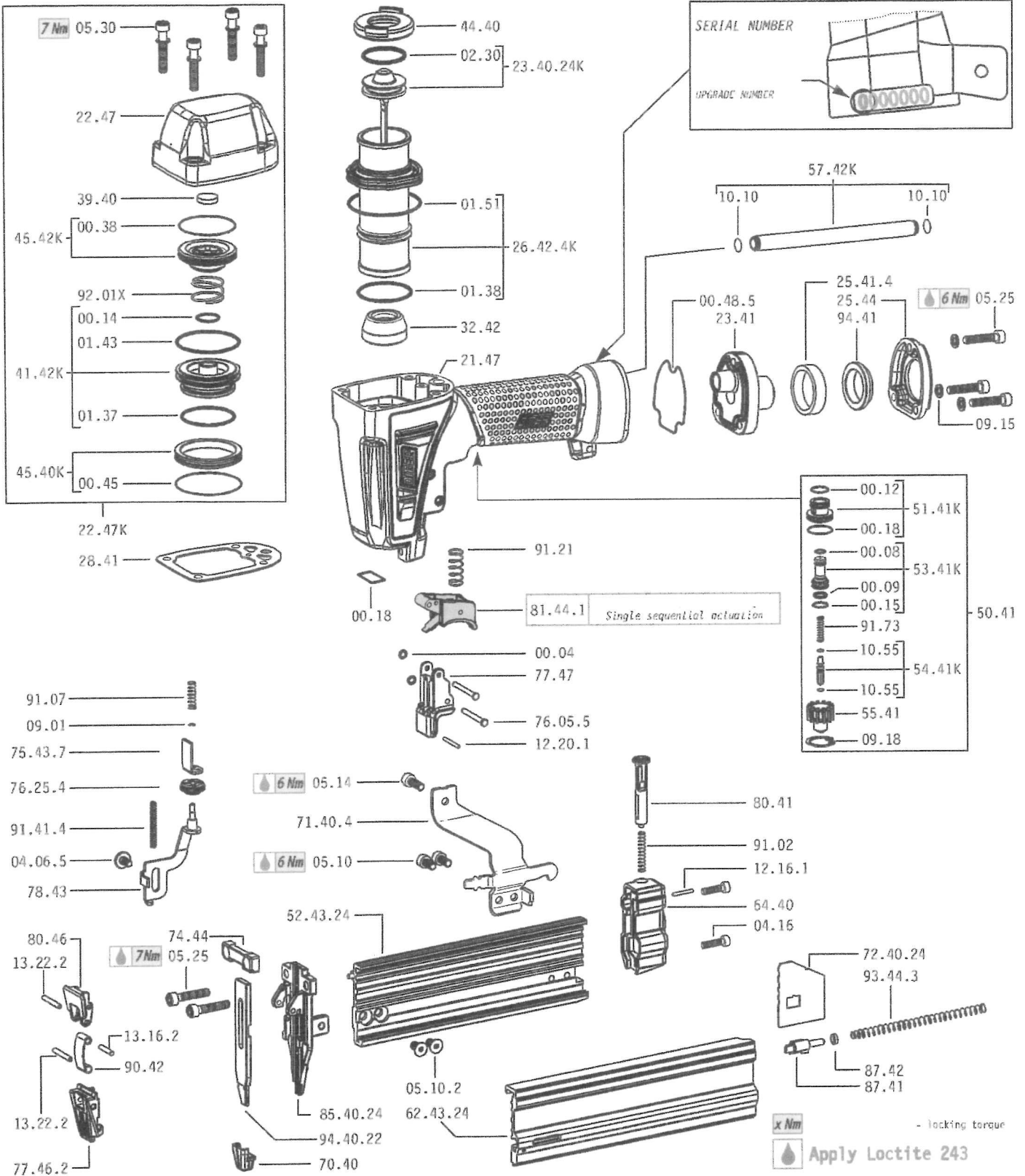


B14.450

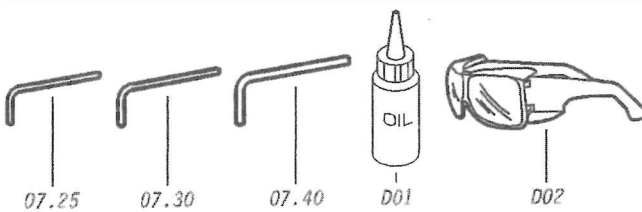
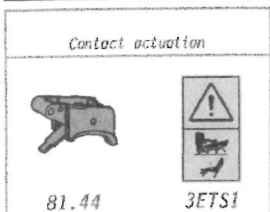
USE, MAINTENANCE & SPARE PARTS MANUAL

TECHNICAL DATA		
Lengths mm	15 ÷ 40	Type of Fastener Brads 14
Magazine capacity	105	
Operating pressure	5 ÷ 7.5 bar 70 ÷ 105 psi	
Air consumption litres/stroke	0.50	
Weight kg	1.34	
Dimensions mm	235 x 64 x 247	
Sound pressure in operator's position	86 dB(A)	
Sound power emitted	94 dB(A)	
Vibratory emissions on handle	3.10 m/s ²	

SPARE PARTS



EQUIPMENT



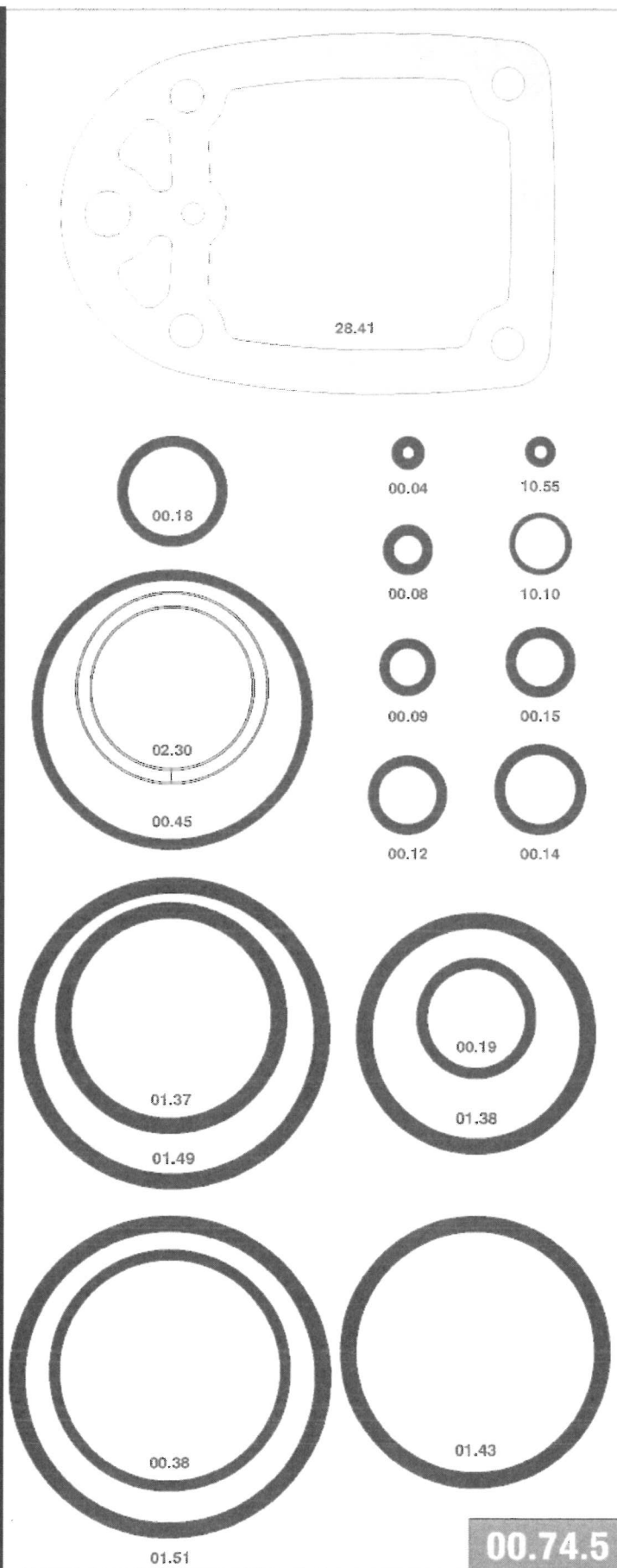
B14.450

July 2023

SPARE PARTS

Cod.	Description
00.04	O-Ring
00.08	O-Ring
00.09	O-Ring
00.12	O-Ring
00.14	O-Ring
00.15	O-Ring
00.18	O-Ring
00.38	O-Ring
00.45	O-Ring
00.48.5	Gasket
01.37	O-Ring
01.38	O-Ring
01.43	O-Ring
01.51	O-Ring
02.30	O-Ring
04.06.5	Screw
04.16	Screw
05.10	Screw
05.10.2	Screw
05.14	Screw
05.25	Screw
05.30	Screw
07.25	Hex. bar wrench
07.30	Hex. bar wrench
07.40	Hex. bar wrench
09.01	Elastic ring
09.15	Washer
09.18	Elastic ring
10.10	O-Ring
10.55	O-Ring
12.16.1	Pin
12.20.1	Pin
13.16.2	Pin
13.22.2	Pin
21.47	Body
22.47K	Head Kit
22.47	Head
23.41	Case back
25.41.4	Silencer
25.44	Exhaust deflector
26.42.4K	Kit Cylinder
28.41	Head gasket
32.42	Bumper
39.40	Seal
41.42K	Valve Kit
44.40	Gasket
45.40K	Ring Kit
45.42K	Ring Kit
50.41	Trigger valve ass'y
51.41K	Trigger valve housing Kit
53.41K	Valve piston Kit
54.41K	Trigger valve Kit
55.41	Bush
57.42K	Exhaust pipe Kit
64.40	Case back
70.40	Tip
71.40.4	Support
74.44	Head bracket
75.43.7	Referral safety
76.05.5	Pin
76.25.4	Controller
77.46.2	Head guide
77.47	Safety guide
78.43	Safety
80.41	Trigger
80.46	Trigger
81.44	Trigger
81.44.1	Trigger
87.41	Spring holder
87.42	Tracker
90.42	Spring
91.02	Spring
91.07	Spring
91.21	Spring
91.41.4	Spring
91.73	Spring
92.01	Spring
93.44.3	Spring
94.41	Bushing
23.40.24K	Driver Kit
52.43.24	Magazine
62.43.24	Slider
72.40.24	Pusher
85.40.24	Nose
94.40.22	Nose plate
D01	Oiler
D02	Protective goggles

O-RINGS



B14.450

cod. 1441400

July 2023